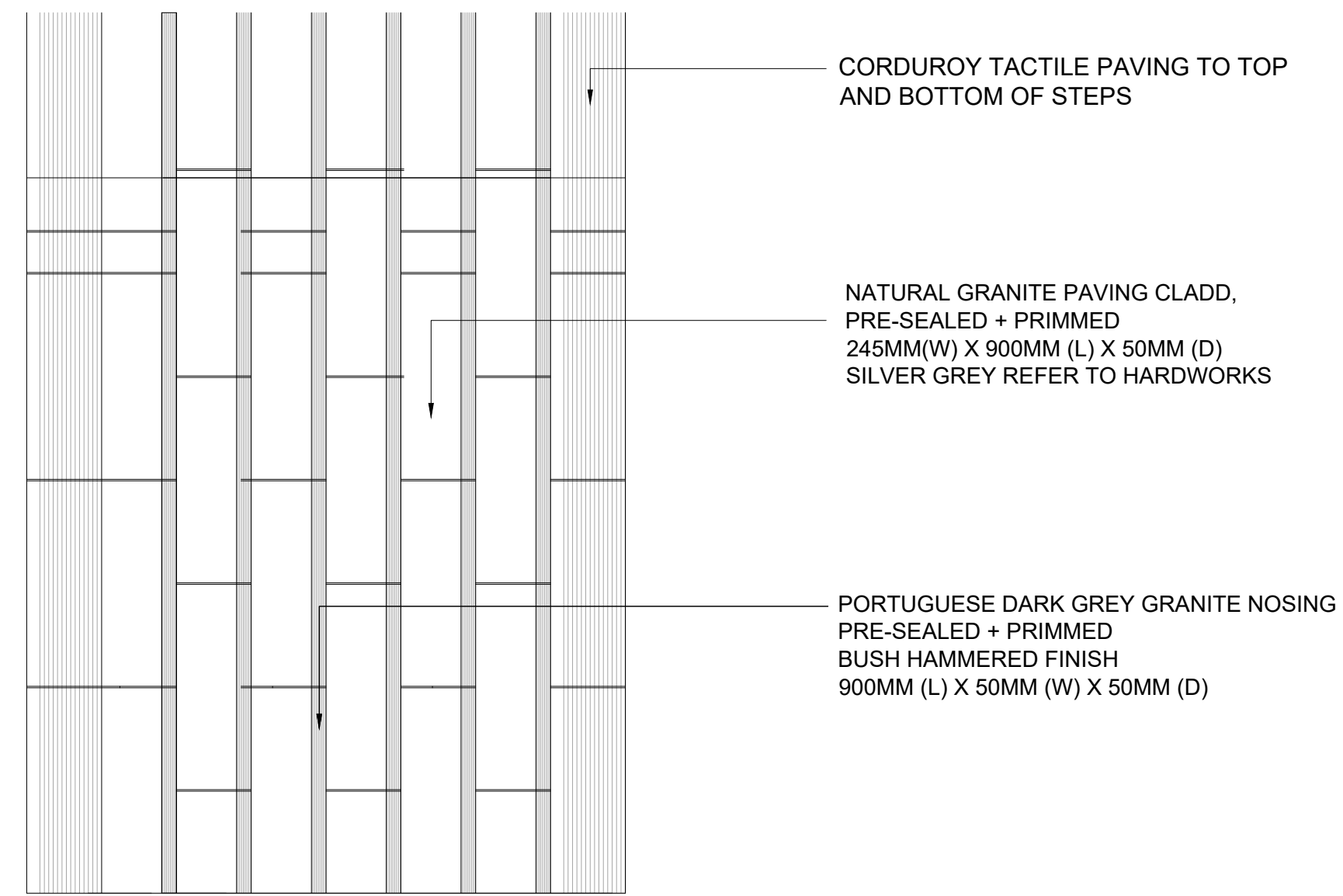
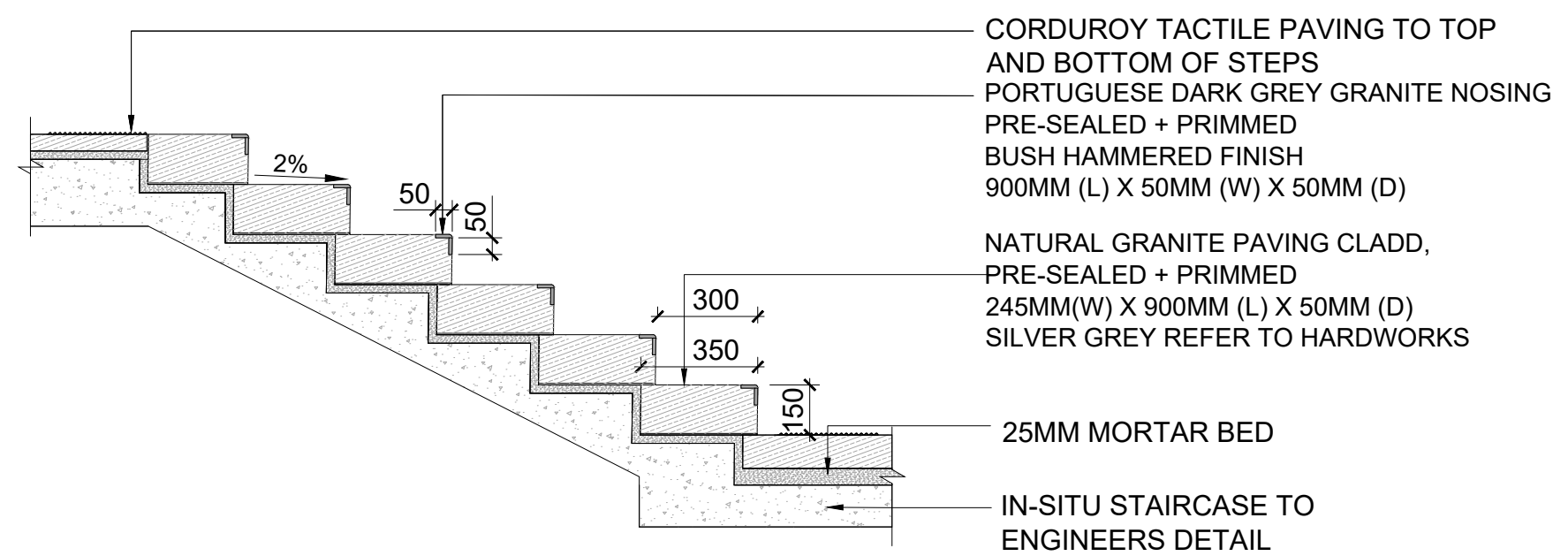


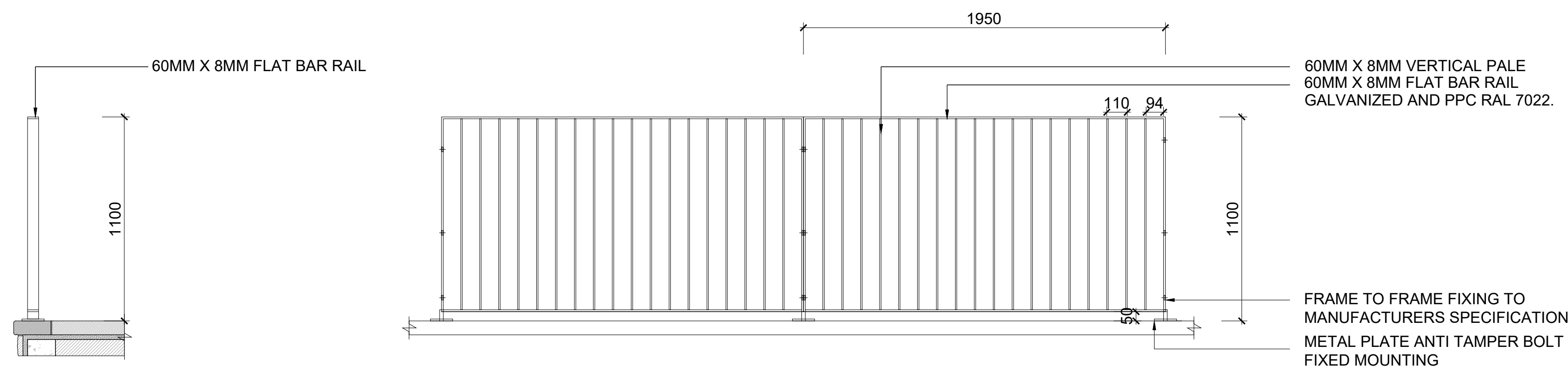
01 R1: TYPICAL RIMINI STAIRCASE RAILING
SCALE: 1:20@A1



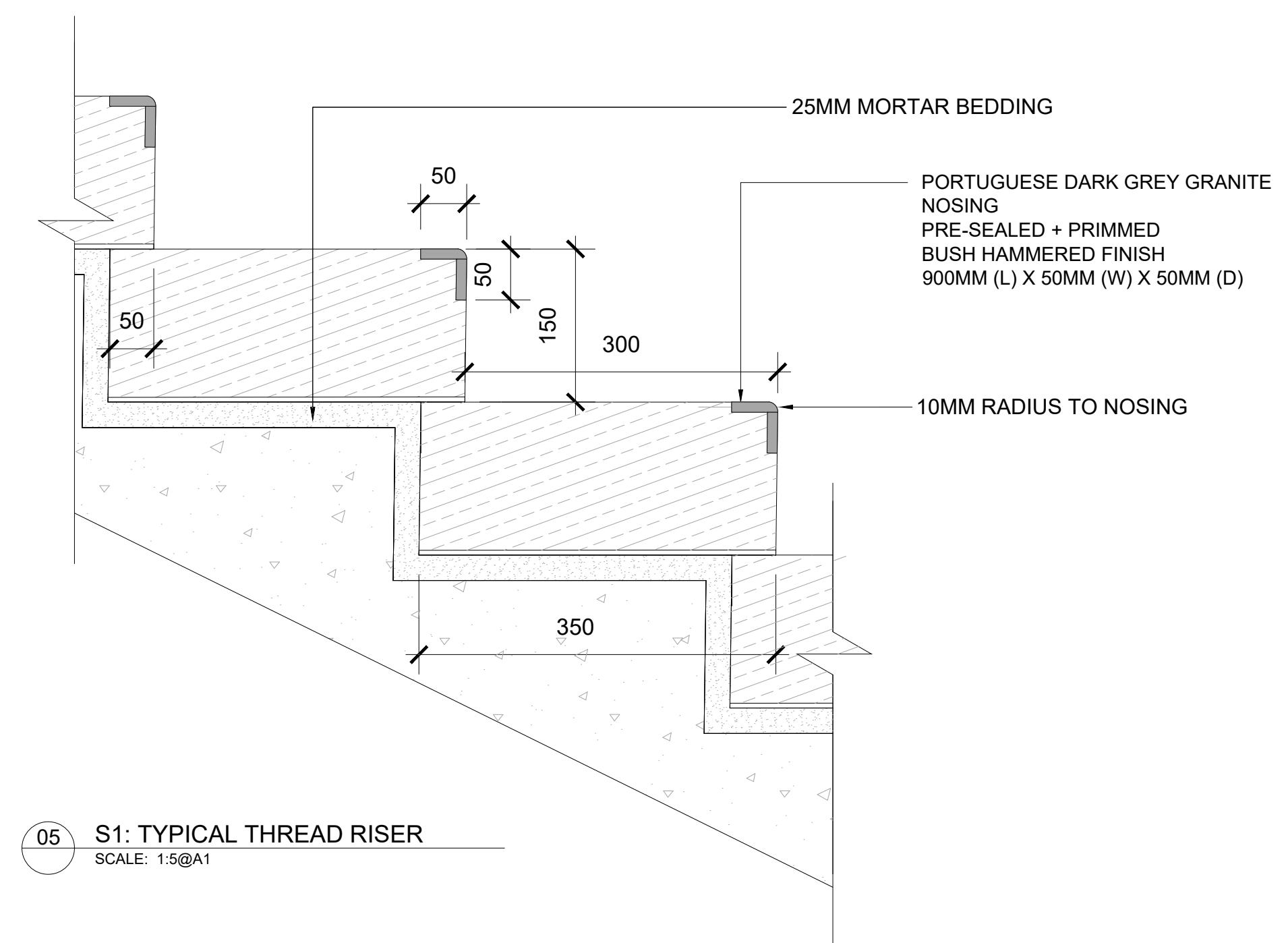
02 S1: TYPICAL STAIRCASE PLAN
SCALE: 1:20@A1



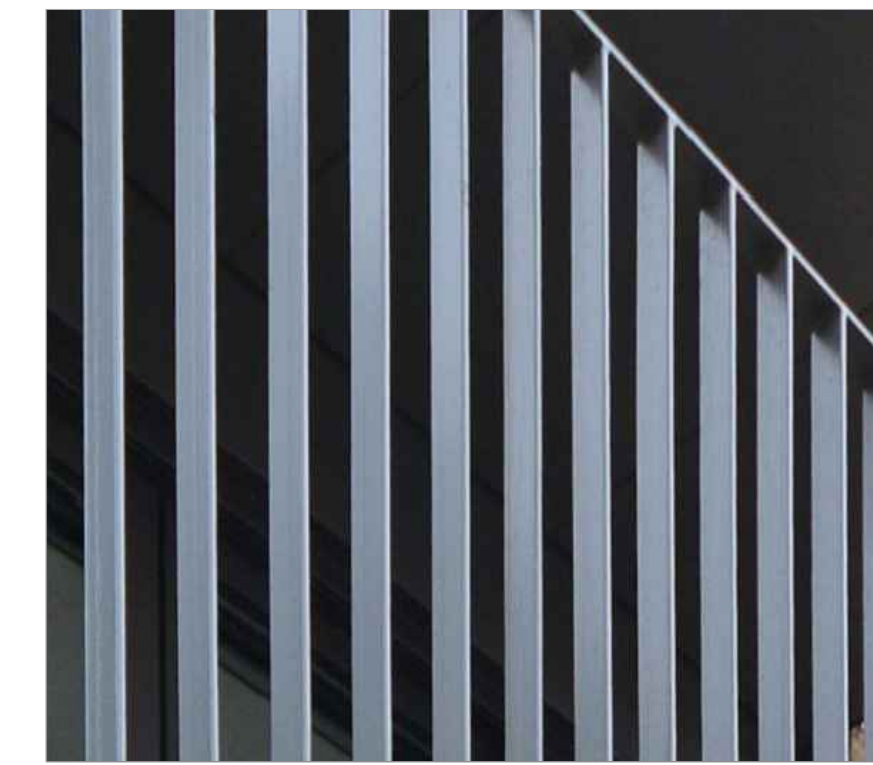
03 S1: TYPICAL STAIRCASE CROSS SECTION
SCALE: 1:20@A1



04 R2: TYPICAL 1800 MM HEIGHT GATE DETAIL
SCALE: 1:20@A1



05 S1: TYPICAL THREAD RISER
SCALE: 1:5@A1



06 TYPICAL RAILING



07 TYPICAL RAILING AT STAIR

NOTE
ALL DIMENSIONS TO BE CHECKED ON SITE
NO DIMENSIONS TO BE SCALED FROM THIS DRAWING
THIS DRAWING IS TO BE READ IN CONJUNCTION WITH
RELEVANT CONSULTANTS DRAWINGS
NO PART OF THIS DOCUMENT MAY BE RE-PRODUCED OR
TRANSMITTED IN ANY FORM OR STORED IN ANY RETRIEVAL
SYSTEM OF ANY NATURE WITHOUT THE WRITTEN PERMISSION
OF THE LANDSCAPE ARCHITECT AS COPYRIGHT HOLDER EXCEPT
AS AGREED FOR USE ON THE PROJECT FOR WHICH THE
DOCUMENT WAS ORIGINALLY ISSUED.
FOR DRAWING INDEX, GENERAL NOTES, REFER TO
DWG L1-001

CLIENT:

ATLAS GP LIMITED

ARCHITECTS:



REVISIONS

Job No.	18A5A	Drawn By	Author
Dwg No.	A-L1-903	Checked By	Checker
Scale	@A1	Date	AUGUST 2022

JOB DESCRIPTION

Site	FORMER AVID TECHNOLOGY SITE
Project	CARMANHALL ROAD SHD 2022
Title	STAIRS & RAILINGS



Architects 33 Rock Road, Williamstown, Blackrock, Co. Dublin
Telephones : 2121 800 Fax : 2121 007 E mail : info@nmp.ie